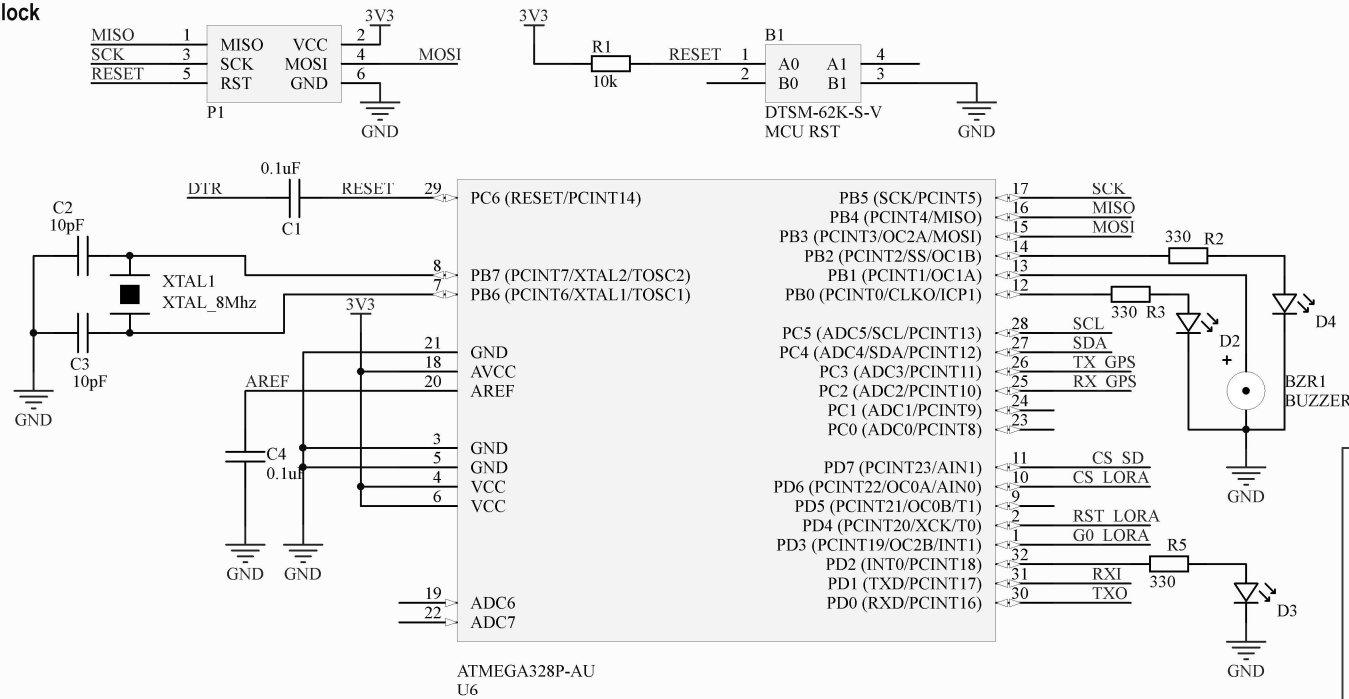
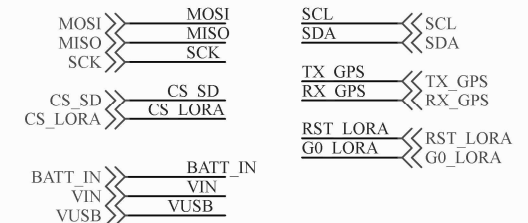


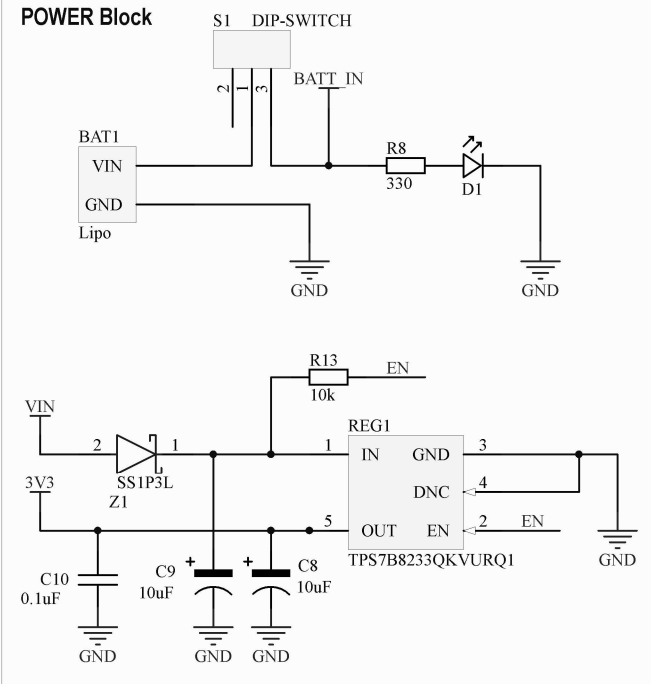
MCU Block



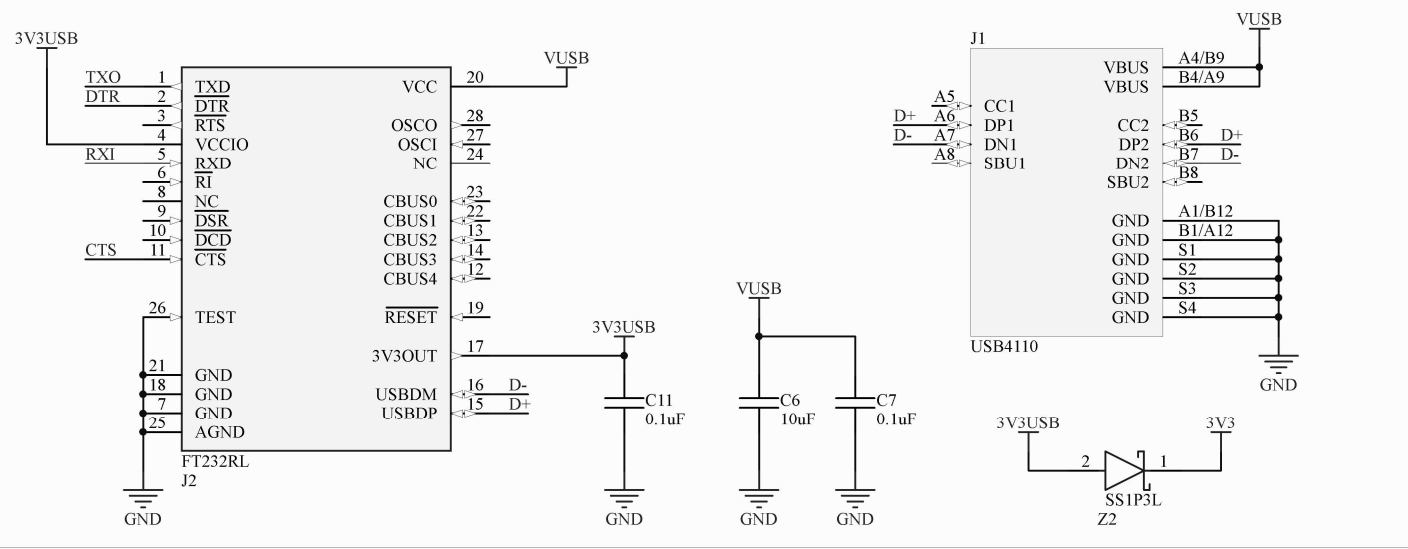
OFFSHEET CONNEXIONS



POWER Block

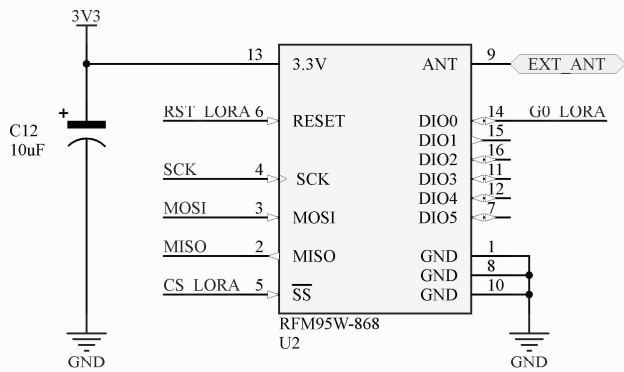


USB Block

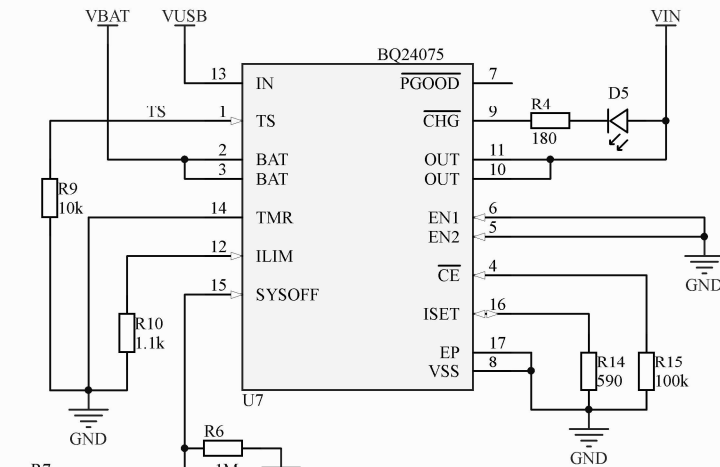


Title				MODULE ULYSSE - AEROIPSA				
Size	Number		Revision		Date:		Sheet 1 of 2	
A4	ULYSSE01		3.1		16/12/2020		C:\Users\A\Sheet1.SchDoc	
File:				Drawn By: Antoine Trotte				

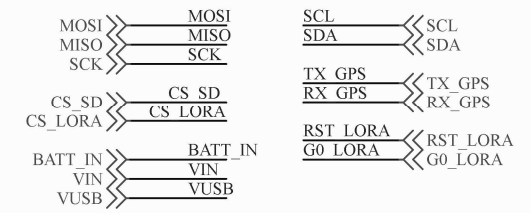
LoRa TELEMETRY Block



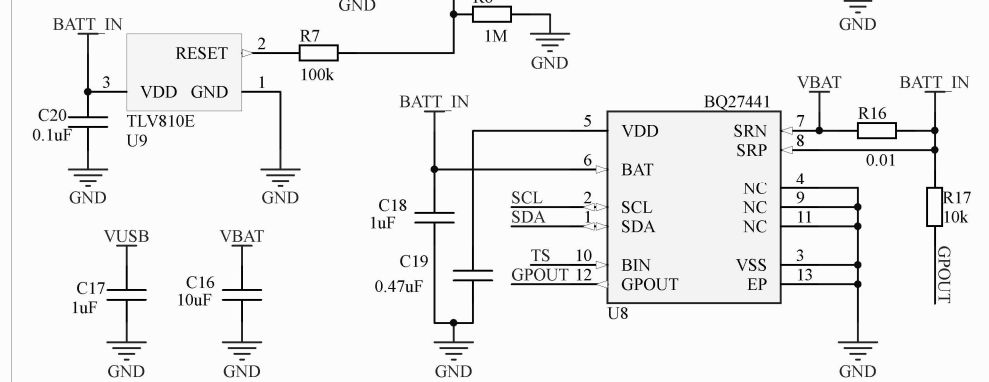
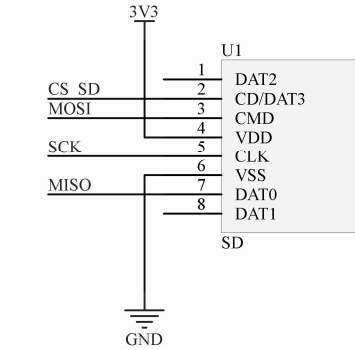
BMC & Fuel Gauge Block



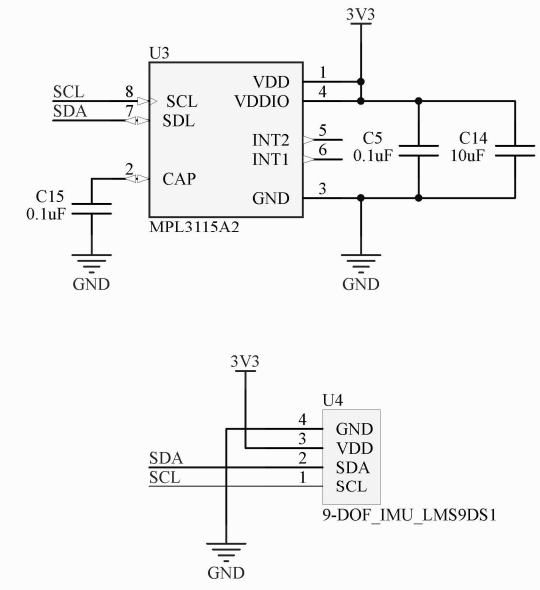
OFFSHEET CONNEXIONS



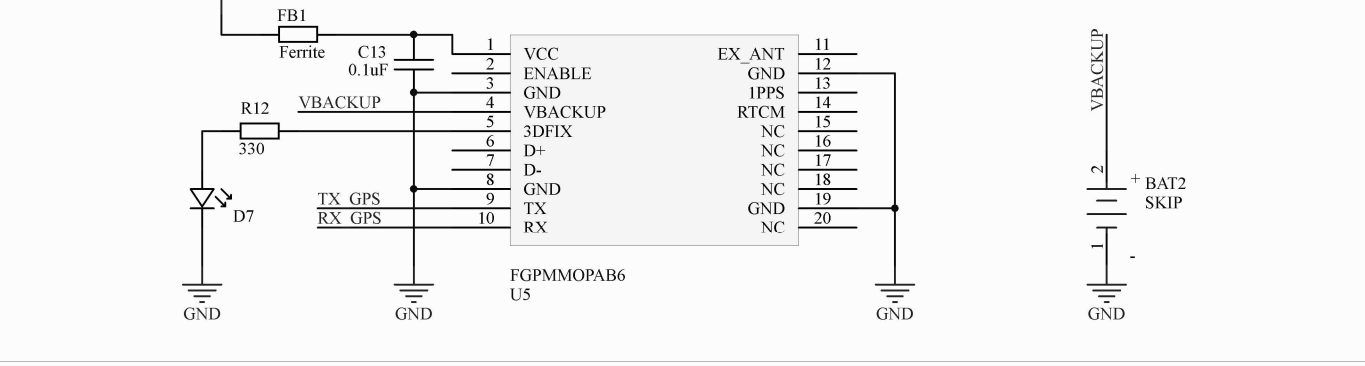
SD Block



SENSORS (Baro / IMU) Block



GPS Block



Title				MODULE ULYSSE - AEROIPSA			
Size	Number	Revision		Number		Revision	
A4	ULYSSE01	3.1		3.1		3.1	
Date:	16/12/2020	Sheet 2 of 2		Date:		16/12/2020	
File:	C:\Users\...Sheet2.SchDoc	Drawn By:		Antoine Trotte		Drawn By:	